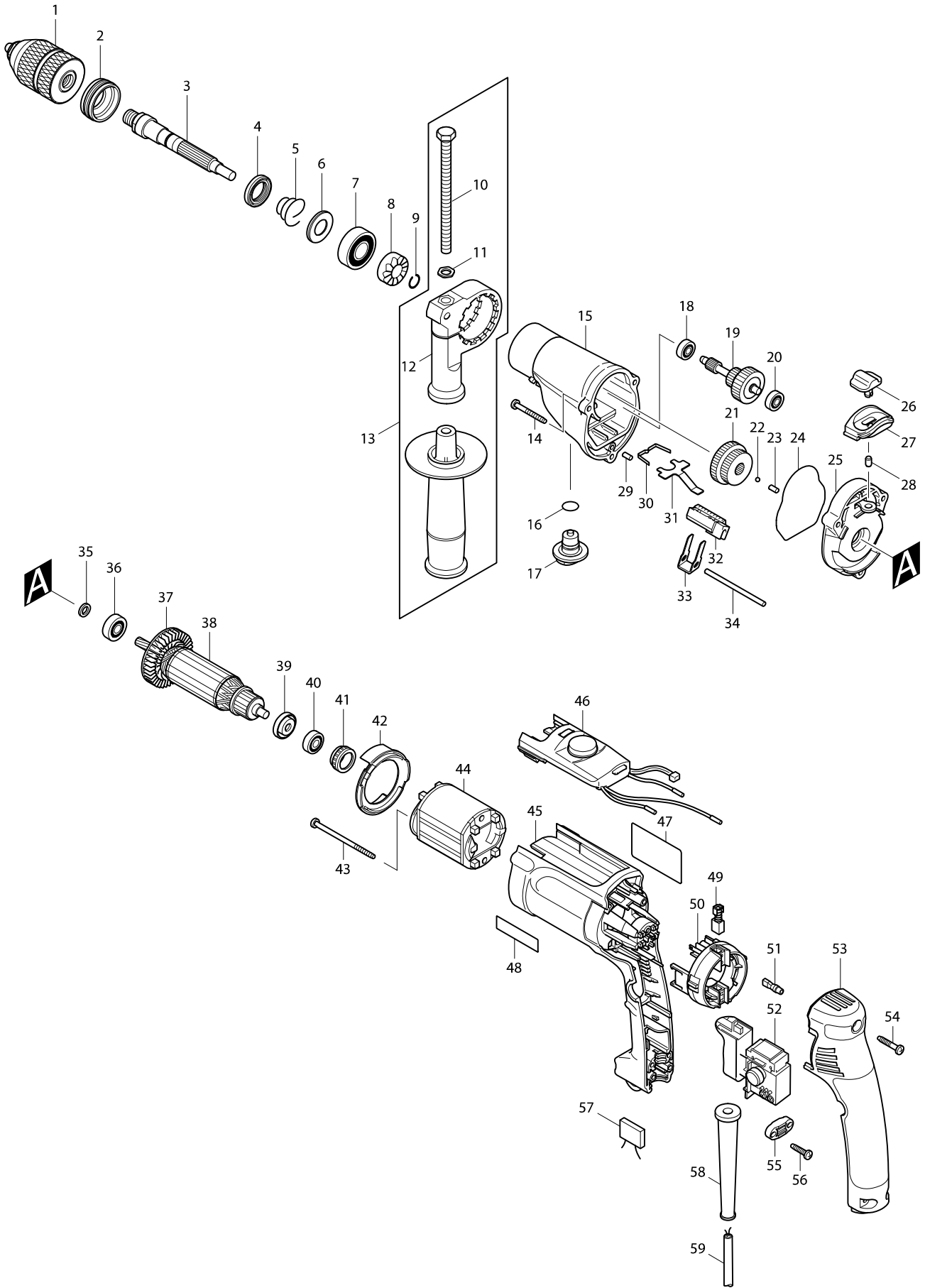


Model No. HP2071 2-SPEED HAMMER DRILL 20MM



Model No. HP2071 2-SPEED HAMMER DRILL 20MM

Item	Parts No.	Description	I/C	QTY	N/O	Opt. 1	Opt. 2	NOTE
001A	192664-5	KEYLESS DRILL CHUCK		1	*			
001B	192664-5	KEYLESS DRILL CHUCK		1	*			
001-1A	194254-0	KEYLESS DRILL CHUCK SET	<	1				
001-1B	194254-0	KEYLESS DRILL CHUCK SET	<	1				
001-1C	194254-0	KEYLESS DRILL CHUCK SET		1				
001-1D	194254-0	KEYLESS DRILL CHUCK SET		1				
002	285839-4	BEARING RETAINER		1		100		
003	324247-5	SPINDLE		1		100		
004	213314-0	OIL SEAL 19		1		100		
005	233921-3	CONICAL COMPRESSION SPRING		1		100		
006	345224-4	CUP WASHER 15		1		100		
007	211206-7	BALL BEARING 6202LLB		1		100		
008	223141-7	CAM A		1		100		
009	233920-5	RING SPRING 11		1		100		
010	921923-8	HEX. BOLT M8X120		1		100		
011	345280-4	HEX. WASHER		1		100		
012	417630-4	GRIP BASE		1		100		
013A	134943-5	GRIP 36 ASS'Y		1	*	100		
C10	152521-9	GRIP 36 COMPLETE		1	*	100		
D10		INC. 10-12			*			
013B	134943-5	GRIP 36 ASS'Y		1	*	100		
C10	152521-9	GRIP 36 COMPLETE		1	*	100		
D10		INC. 10-12			*			
013-1A	135302-6	GRIP 36 ASS'Y	O	1		100		
C10	153503-4	GRIP 36 COMPLETE		1		100		
D10		INC. 10-12						
013-1B	135302-6	GRIP 36 ASS'Y	O	1		100		
C10	153503-4	GRIP 36 COMPLETE		1		100		
D10		INC. 10-12						
013-1C	135302-6	GRIP 36 ASS'Y		1		100		
C10	153503-4	GRIP 36 COMPLETE		1		100		
D10		INC. 10-12						
013-1D	135302-6	GRIP 36 ASS'Y		1		100		
C10	153503-4	GRIP 36 COMPLETE		1		100		
D10		INC. 10-12						
014	266053-1	TAPPING SCREW 4X35		3		100		
015	153621-8	GEAR HOUSING COMPLETE		1		100		
016	213122-9	O RING 12		1		100		
017	417805-5	CHANGE LEVER B		1		100		
018A	211014-6	BALL BEARING 606		1	*	100		
018B	211014-6	BALL BEARING 606		1	*	100		
018-1A	211012-0	BALL BEARING 606ZZ	O	1		100		
018-1B	211012-0	BALL BEARING 606ZZ	O	1		100		
018-1C	211012-0	BALL BEARING 606ZZ		1		100		
018-1D	211012-0	BALL BEARING 606ZZ		1		100		
019	153622-6	GEAR COMPLETE		1		100		
020A	211014-6	BALL BEARING 606		1	*	100		
020B	211014-6	BALL BEARING 606		1	*	100		

Item	Parts No.	Description	I/C	QTY	N/O	Opt. 1	Opt. 2	NOTE
020-1A	211012-0	BALL BEARING 606ZZ	O	1		100		
020-1B	211012-0	BALL BEARING 606ZZ	O	1		100		
020-1C	211012-0	BALL BEARING 606ZZ		1		100		
020-1D	211012-0	BALL BEARING 606ZZ		1		100		
021A	227030-8	SPUR GEAR 29-37		1	*	100		
021B	227030-8	SPUR GEAR 29-37		1	*	100		
021-1A	227119-2	SPUR GEAR 29-37	<	1		100		
021-1B	227119-2	SPUR GEAR 29-37	<	1		100		
021-1C	227119-2	SPUR GEAR 29-37		1		100		
021-1D	227119-2	SPUR GEAR 29-37		1		100		
022	216001-0	STEEL BALL 3.5		1		100		
023	256251-5	PIN 4		1		100		
024	421810-6	SEAL RING		1		100		
025	153620-0	GEAR HOUSING COVER COMPLETE		1		100		
026	418083-0	CHANGE LEVER A		1		100		
027	417802-1	LEVER CASE		1		100		
028	263002-9	RUBBER PIN 4		1		100		
029	256251-5	PIN 4		1		100		
030	232143-2	LEAF SPRING		1		100		
031	345225-2	LOCK PLATE		1		100		
032	417804-7	RACK 12		1		100		
033	345223-6	CHANGE PLATE B		1		100		
034	268092-7	PIN 4		1		100		
035	262087-2	RING 8		1		100		
036	210005-4	BALL BEARING 608DDW		1		100		
037	240065-2	FAN 52		1		100		
D10		INC. 35-37,39,40						
038A	517461-2	ARMATURE ASS'Y 115V		1		151		
038B	517464-6	ARMATURE ASS'Y 220-240V		1		151		
038C	517461-2	ARMATURE ASS'Y 115V		1		151		
038D	517464-6	ARMATURE ASS'Y 220-240V		1		151		
039	681636-0	INSULATION WASHER		1		100		
040	211021-9	BALL BEARING 607LLB		1		100		
041	421494-0	RUBBER RING 19		1		100		
042	418269-6	BAFFLE PLATE		1		100		
043	266004-4	TAPPING SCREW 4X70		2		100		
044A	633571-8	FIELD 115V		1		152		
044B	633573-4	FIELD 220-240V		1		152		
044C	633571-8	FIELD 115V		1		152		
044D	633573-4	FIELD 220-240V		1		152		
045	183657-3	MOTOR HOUSING		1		100		
D10		INC. 48						
046A	631533-0	CONTROLLER		1		100		
046B	631534-8	CONTROLLER		1		100		
046C	631533-0	CONTROLLER		1		100		
046D	631534-8	CONTROLLER		1		100		
047	850578-1	NAME PLATE HP2071		1				
048	819063-3	MAKITA LABEL		1		100		

Item	Parts No.	Description	I/C	QTY	N/O	Opt. 1	Opt. 2	NOTE
049	191962-4	CARBON BRUSH CB-419		1		100		
050A	638236-7	BRUSH HOLDER UNIT		1	*	100		
050B	638236-7	BRUSH HOLDER UNIT		1	*	100		
050-1A	638413-1	BRUSH HOLDER UNIT	<	1		100		
050-1B	638413-1	BRUSH HOLDER UNIT	O	1		100		
050-1C	638413-1	BRUSH HOLDER UNIT		1		100		
050-1D	638413-1	BRUSH HOLDER UNIT		1		100		
051	686038-5	RECEPTACLE SLEEVE		2		100		
052	650212-1	SWITCH TG813TB-4		1		100		
053	418273-5	HANDLE COVER		1		100		
054	265999-8	TAPPING SCREW 4X25		3		100		
055A	687063-9	CORD CLAMP		1	*	100		
055B	687063-9	CORD CLAMP		1	*	100		
055C	687063-9	CORD CLAMP		1	*	100		
055D	687063-9	CORD CLAMP		1	*	100		
055-1A	687123-7	STRAIN RELIEF	O	1		100		
055-1B	687123-7	STRAIN RELIEF	O	1		100		
055-1C	687123-7	STRAIN RELIEF	O	1		100		
055-1D	687123-7	STRAIN RELIEF	O	1		100		
056	265995-6	TAPPING SCREW 4X18		2		100		
057	645200-1	NOISE SUPPRESSOR		1		100		
058A	682559-5	CORD GUARD 8		1		100		
058B	682559-5	CORD GUARD 8		1		100		
058C	682559-5	CORD GUARD 8		1		100		
058D	682559-5	CORD GUARD 8		1		100		
059A	663514-6	POWER SUPPLY CORD 1.0-2-2.5		1		100		
059B	692021-2	POWER SUPPLY CORD 1.0-2-2.5		1		100		
059C	663514-6	POWER SUPPLY CORD 1.0-2-2.5		1		100		
059D	692021-2	POWER SUPPLY CORD 1.0-2-2.5		1		100		
A01	324219-0	DEPTH GAUGE		1				
A02A	824650-5	PLASTIC CARRYING CASE		1				
C10	417724-5	LATCH		2				
C20	819144-3	MAKITA LOGO LABEL		1		100		
A02B	824650-5	PLASTIC CARRYING CASE		1				
C10	417724-5	LATCH		2				
C20	819144-3	MAKITA LOGO LABEL		1		100		
A02C	821549-5	CONNECTOR PLASTIC CASE (TYPE1)		1	*			
C10	453974-8	LATCH		4	*	100		
A02D	821549-5	CONNECTOR PLASTIC CASE (TYPE1)		1	*			
C10	453974-8	LATCH		4	*	100		
A02-1C	821549-5	CONNECTOR PLASTIC CASE (TYPE1)	<	1				
C10	453974-8	LATCH		4		100		
A02-1D	821549-5	CONNECTOR PLASTIC CASE (TYPE1)	<	1				
C10	453974-8	LATCH		4		100		
A03C	837656-4	INNER TRAY		1	*			
A03D	837656-4	INNER TRAY		1	*			
A03-1C	838039-1	INNER TRAY	O	1				
A03-1D	838039-1	INNER TRAY	O	1				

